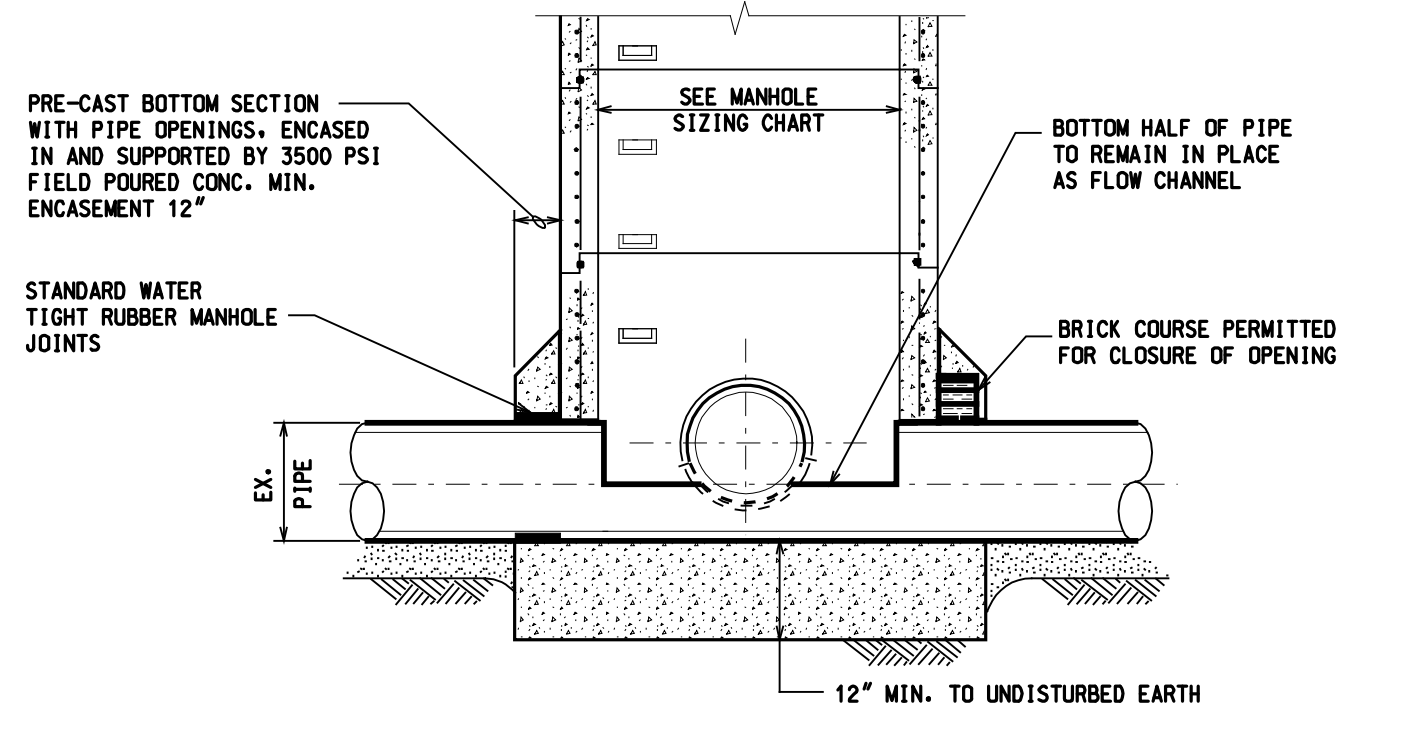
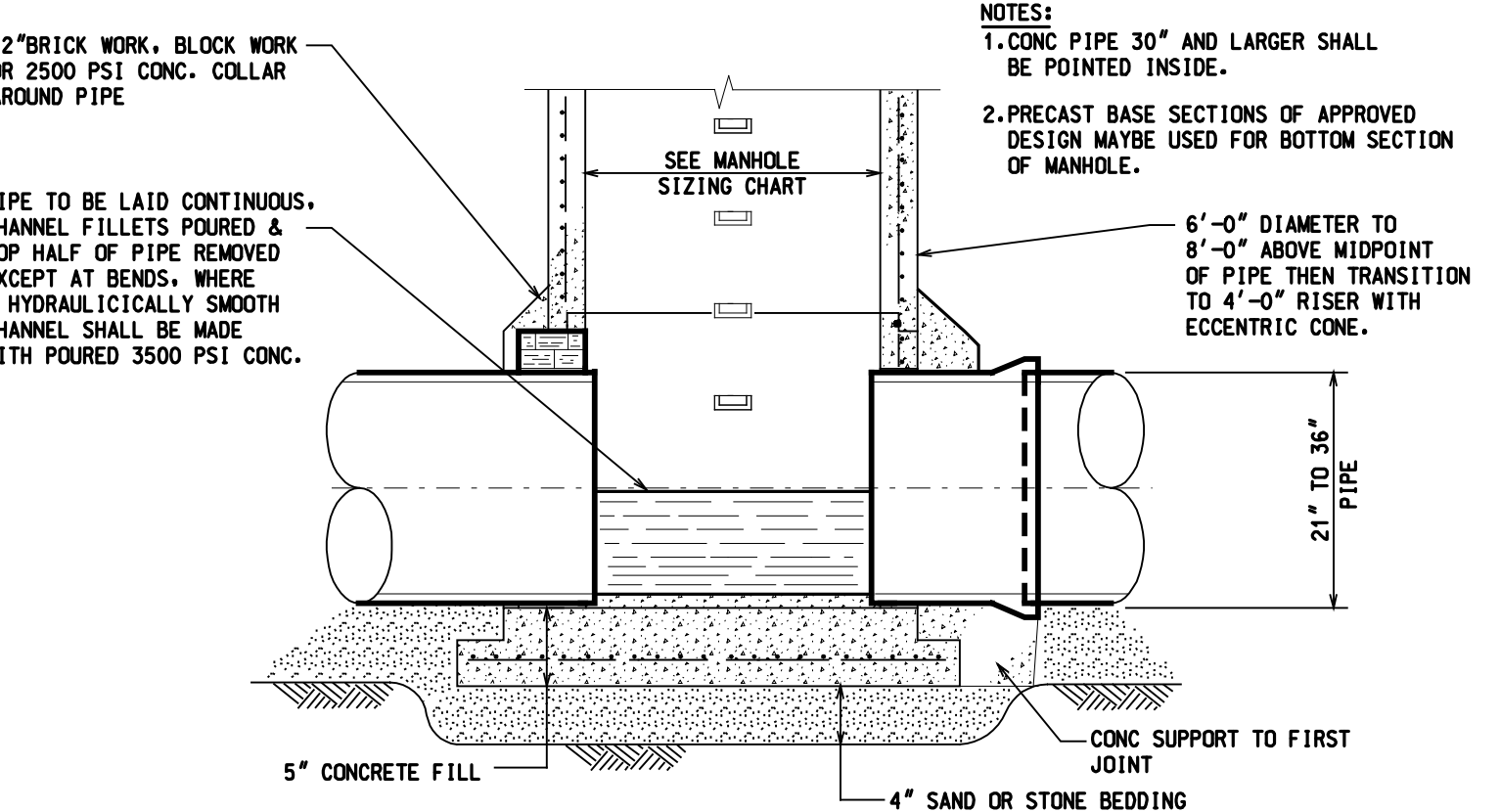


SANITARY SUMP MANHOLE



MANHOLE CONSTRUCTION OVER EXISTING SANITARY SEWER



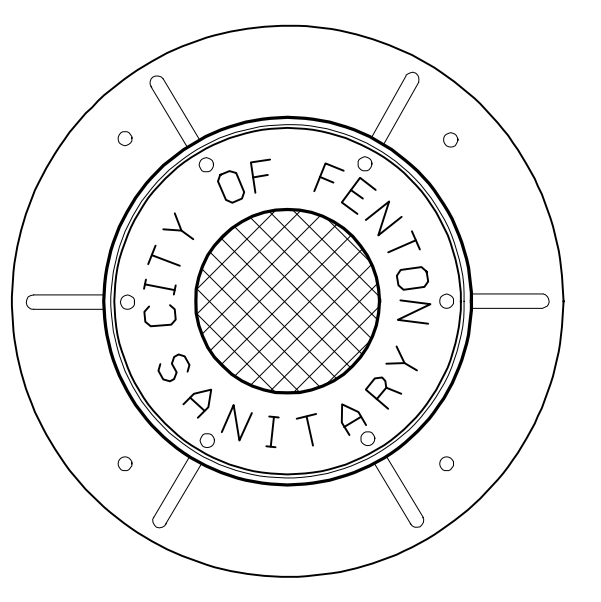
MANHOLE CONSTRUCTION FOR 21\"/>

MANHOLE SIZING CHART

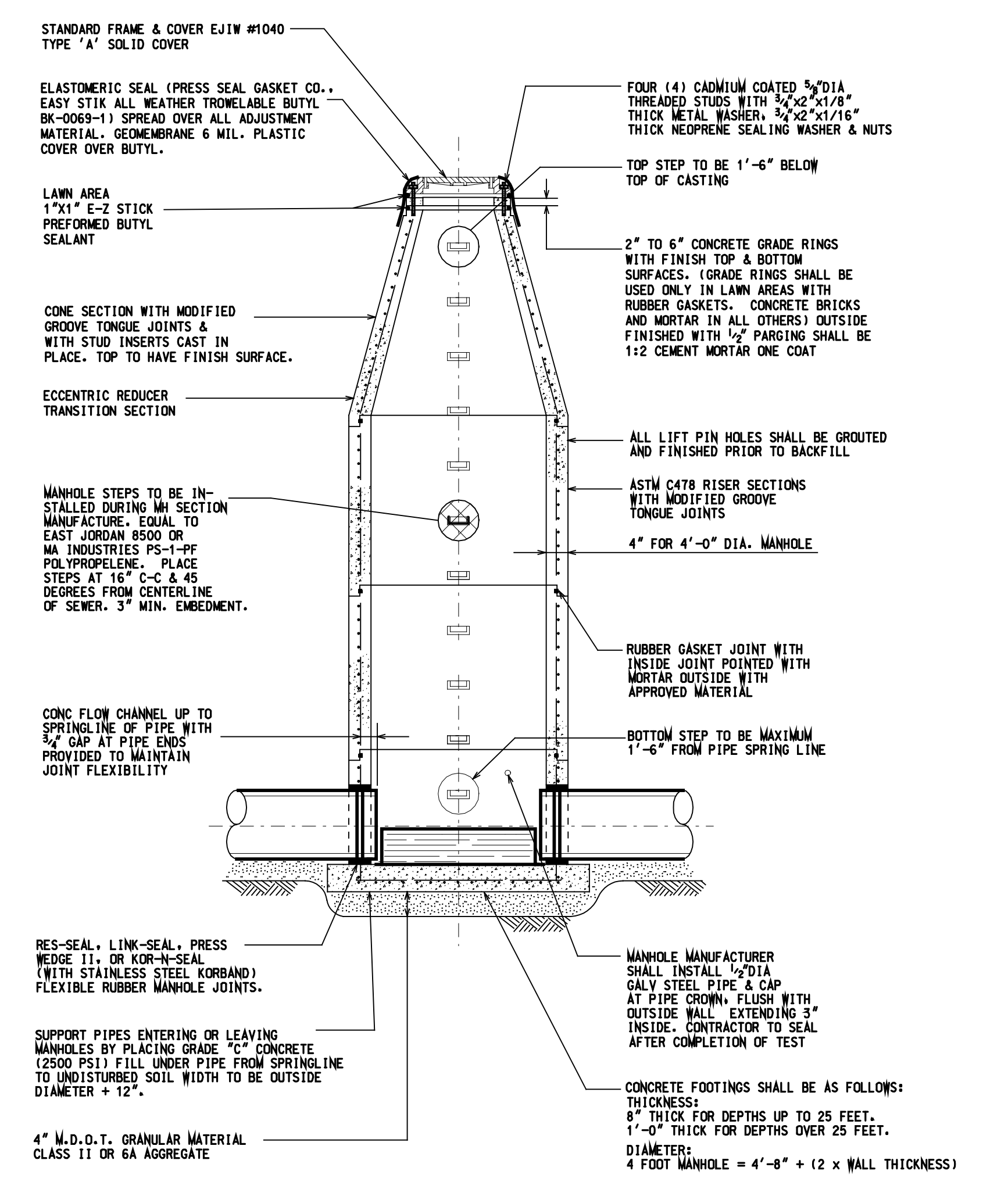
MANHOLE DIAMETER	MAX. PIPE SIZE FOR STRAIGHT THRU INST.	MAX. PIPE SIZE FOR RIGHT ANGLE INST.
4'	24"	18"
5'	36"	24"
6'	42"	36"
7'	60"	42"

MAXIMUM TRENCH WIDTH TABLE

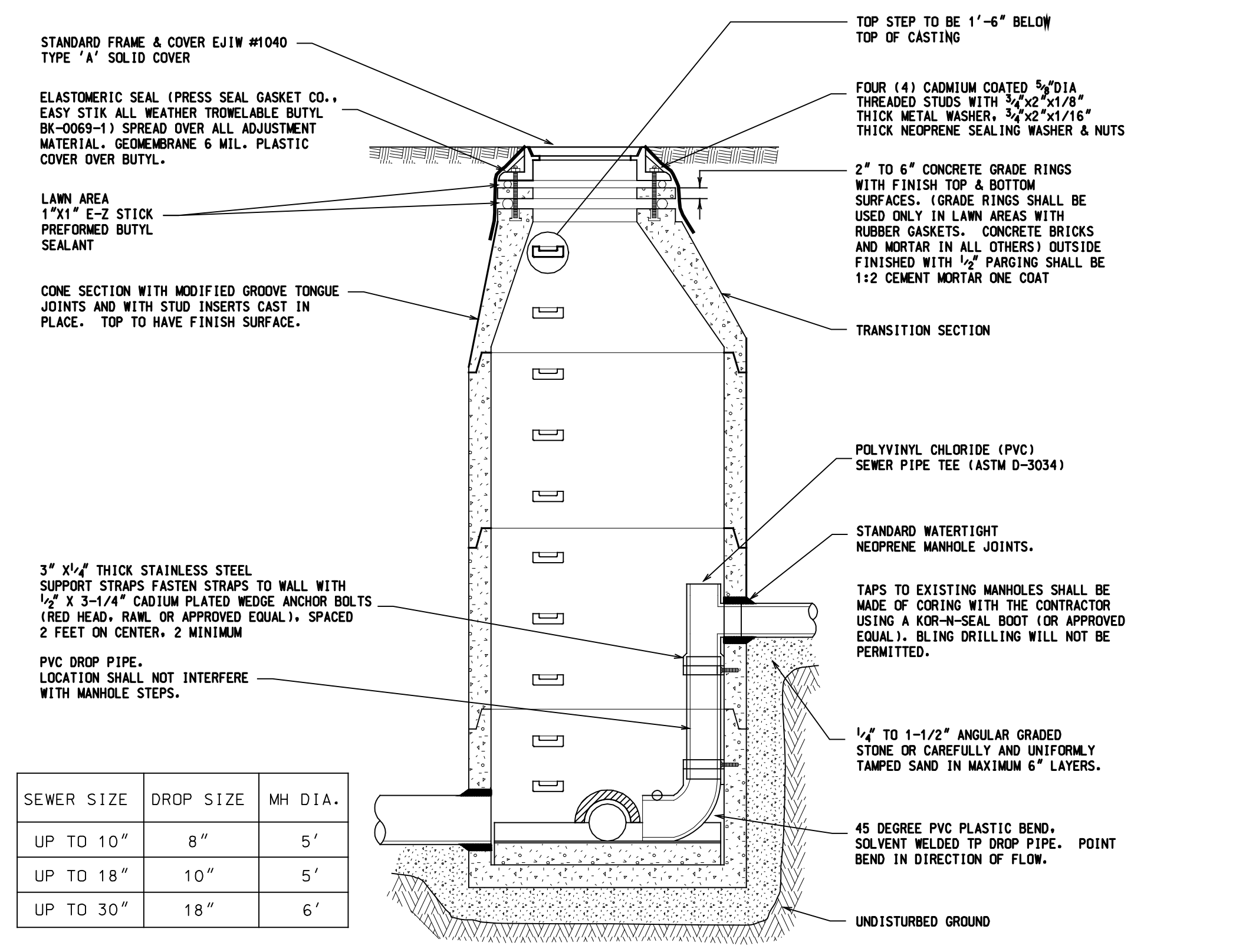
PIPE I.D.	TRENCH WIDTH
4" - 12"	32"
15"	36"
18"	39"
21"	43"
24"	46"
27"	50"
30"	53"
36"	68"
42"	75"



SANITARY COVER
SANITARY FRAME & COVER EJIW #1040 WT. WITH TYPE "A" WITH BOLT DOWN COVER AND RAISED LETTERS.



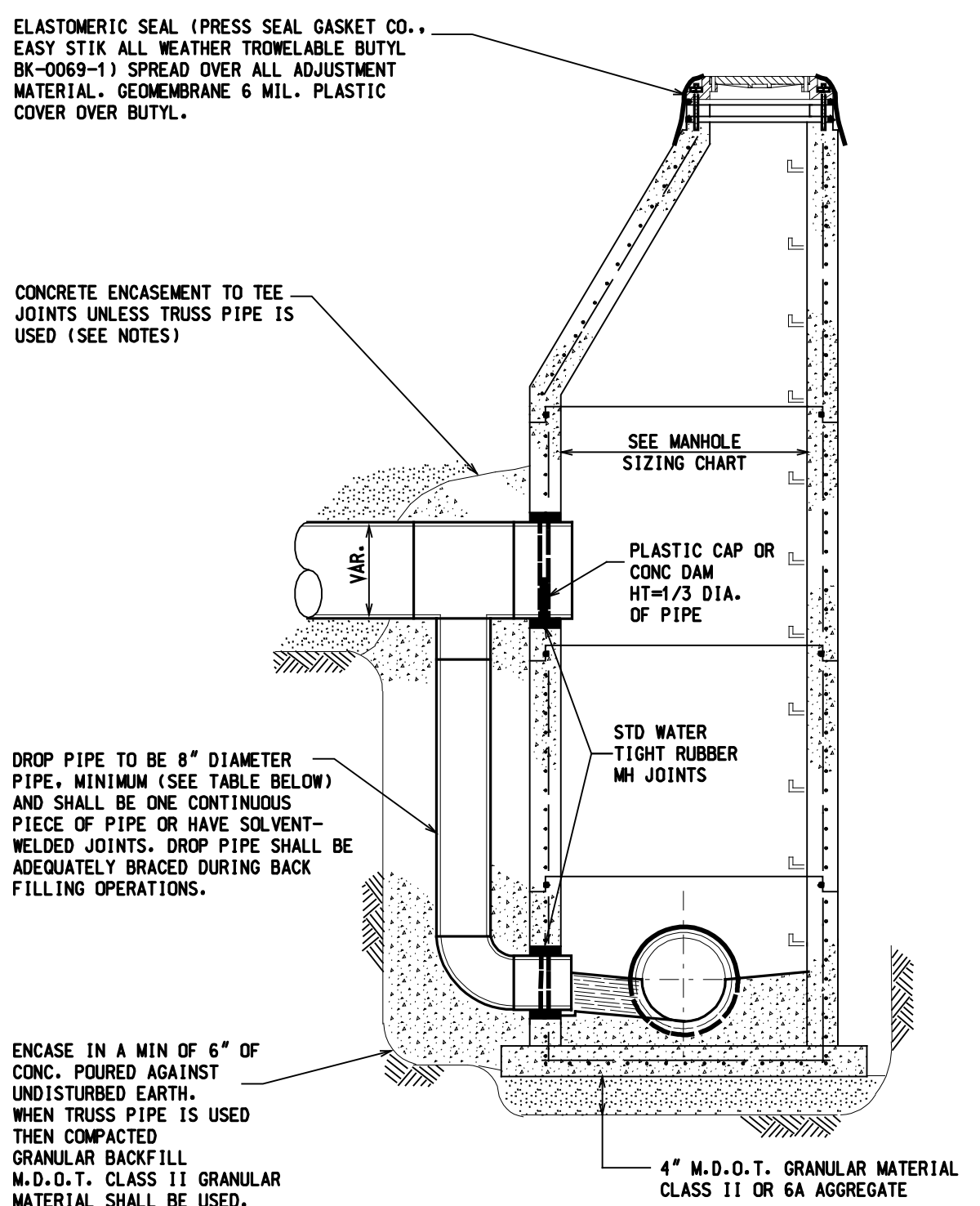
SANITARY MANHOLE



SEWER SIZE	DROP SIZE	MH DIA.
UP TO 10"	8"	5'
UP TO 18"	10"	5'
UP TO 30"	18"	6'

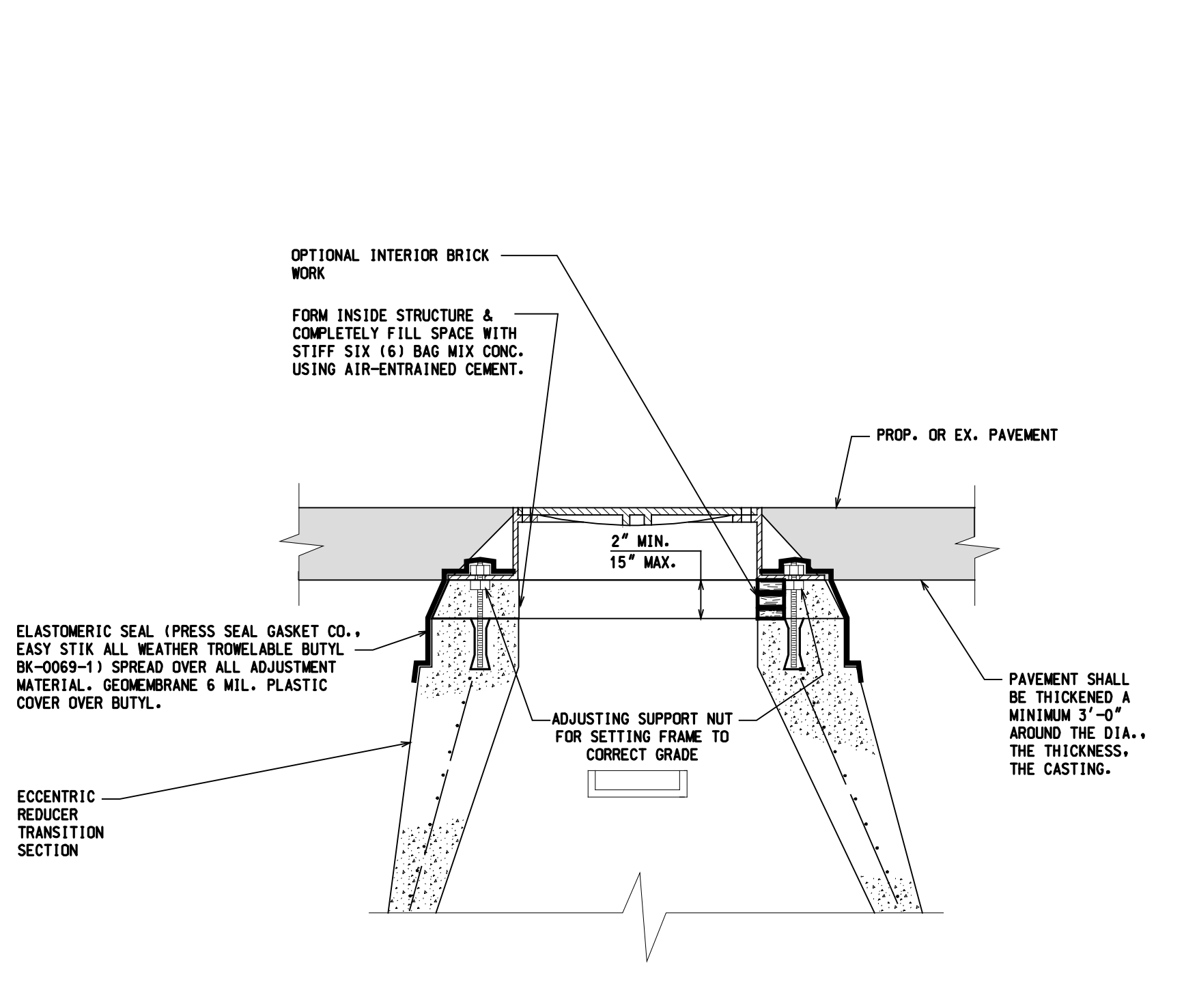
INTERNAL DROP CONNECTION INSIDE LARGE DIAMETER MANHOLE

NOTE:
ONLY TO BE USED BY SPECIAL APPROVAL BY CITY ADMINISTRATION OR ENGINEER



SEWER SIZE	DROP SIZE	MH DIA.
UP TO 10"	8"	4'
12" TO 18"	10"	4'
18" TO 30"	18"	5'

EXTERNAL DROP MANHOLE CONNECTION



RIM ADJUSTMENT WITHIN PAVEMENT



HRC
HUBBELL, ROTH & CLARK, INC.
Consulting Engineers
3999 E. GRAND RIVER AVE. SUITE 102
HOWELL, MICHIGAN 48843-7555
PHONE: (248) 454-6300
DIRECT PHONE: (517) 552-9199
FAX: (517) 552-6099
WEB SITE: <http://www.hrc-engr.com>

3-24-08	ADOPTED BY CITY COUNCIL
DATE	ADDITIONS AND/OR REVISIONS
DESIGNED	
DRAWN	J. REC
CHECKED	M. DARGA
APPROVED	J. BOOTH

**CITY OF FENTON
STANDARD
CONSTRUCTION
DETAILS**

**SANITARY SEWER
STANDARDS
1 OF 2**

HRC JOB NO. 20070048	SCALE NONE
DATE JULY, 2007	SHEET NO. 1 OF 2